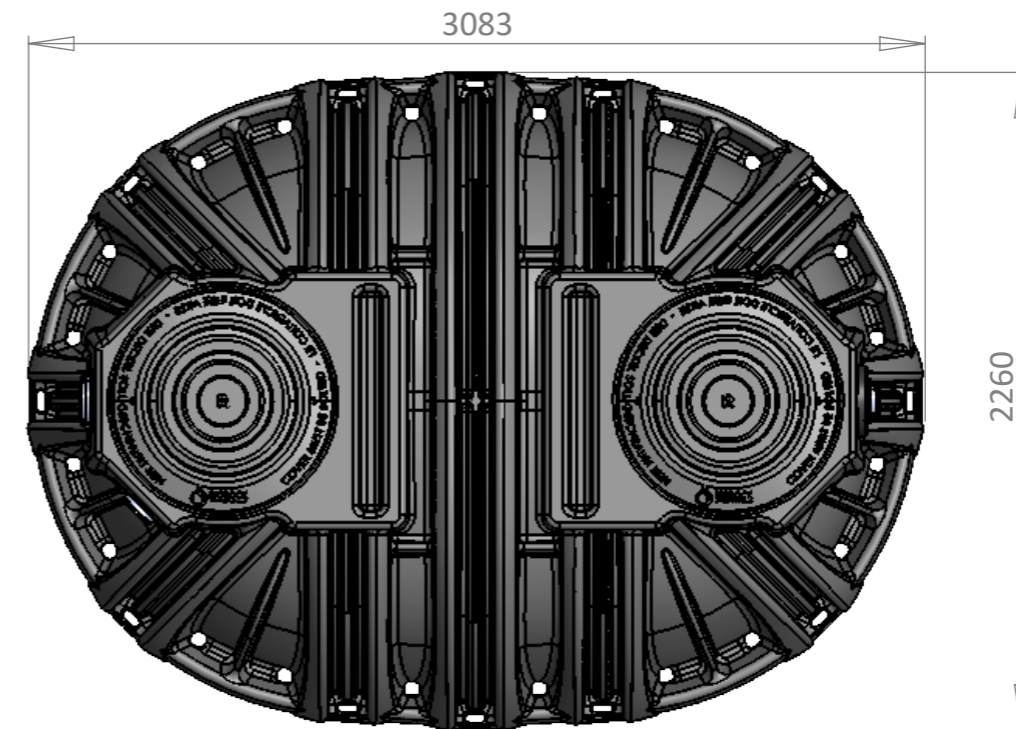
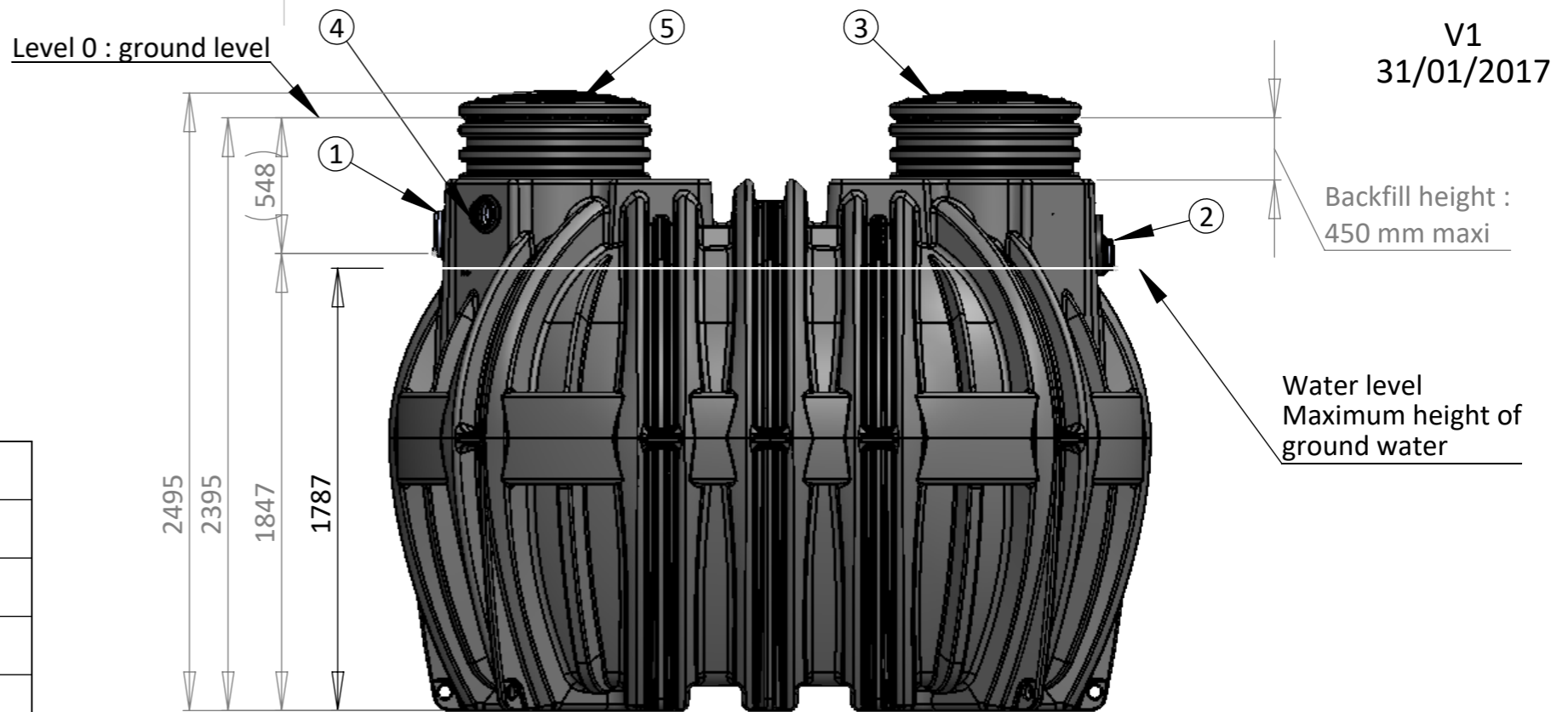


Primary Tank BIOROCK-ST1-7500 Tank volume 7500 L

1	Water inlet
2	Water outlet
3	Access to effluent filter
4	Air outlet
5	Access to Rodding point

Characteristics	Value	Unit
Primary tank (PT)		
Material	HDPE	
Minimum volume necessary	7500	Litres
Specification		
Overall length	3083	mm
Overall width	2260	mm
Overall height	2495	mm
Total weight (without water)	384	Kg
Pipe diameter	160-110	mm

This primary tank can be installed in high ground water table.



Overall tolerance : 3%

Service :

ORIGINATOR			
NAME	SIGNATURE	DATE	
AUTHOR: TC		31/01/2017	
APPROV.			
CHANGES			
NAME	SIGNATURE	DATE	
AUTHOR			
APPROV.			
CHANGES			
AUTHOR			
APPROV.			

TITLE: **BIOROCK-ST1-7500**

Nb. of PLAN: FTE-X7500

SCALE:1:26

A3

