

# Treatment Unit Tank Volume 1500 L

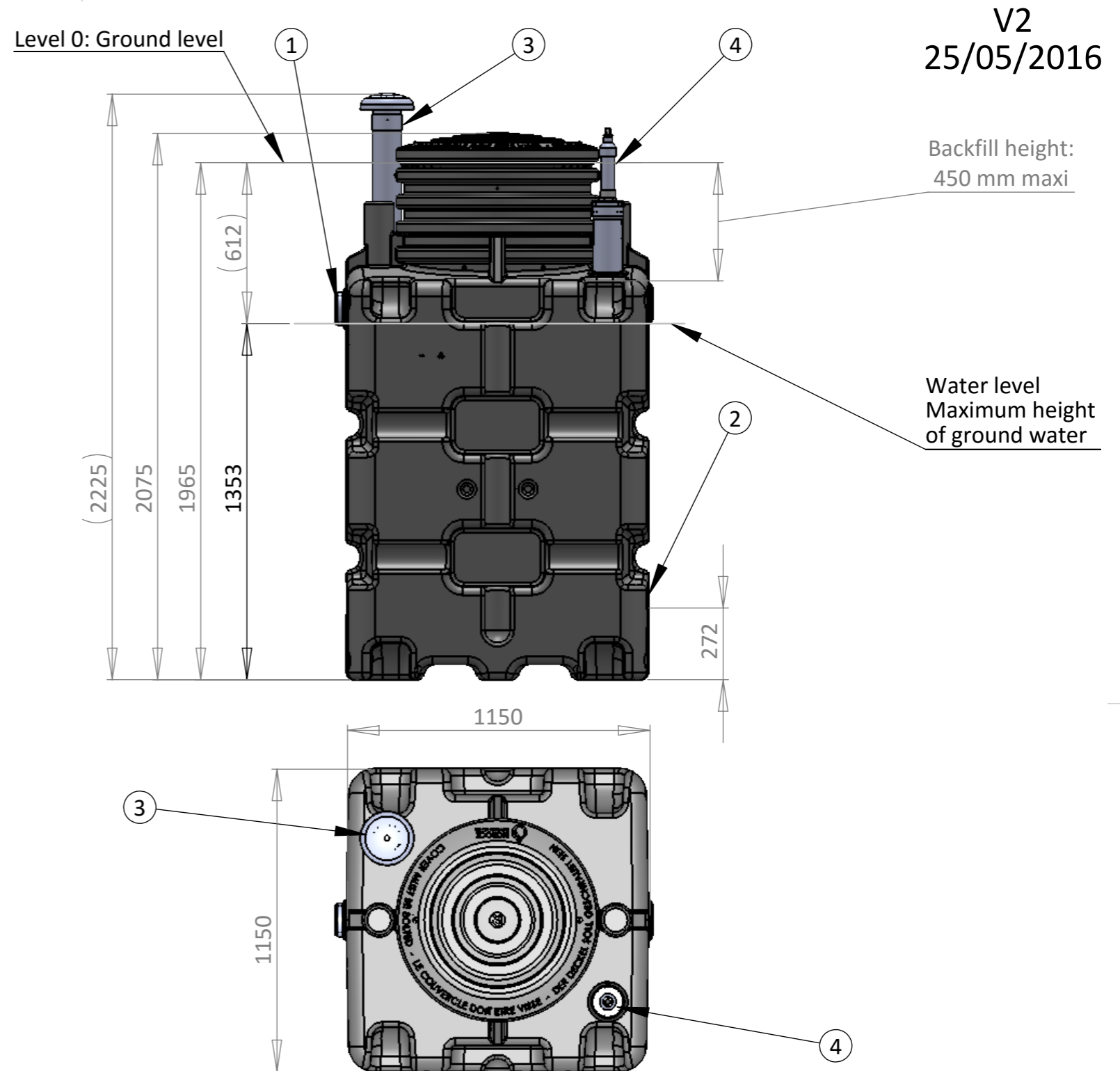
1	Water inlet
2	Water outlet
3	Air inlet
4	Overflow Alarm

Characteristics	Value	Unit
<b>Treatment Unit</b>		
Minimum volume of pre-treatment		liters
Capacity in population equivalent		PE
Daily volume of wastewater **		liters/day/PE
Daily hydraulic load		m <sup>3</sup> /day
Organic load per PE		gr.BOD <sub>5</sub> /PE/day
Organic load raw effluent up to		kg BOD <sub>5</sub> /day

Specification	Value	Unit
Tank Volume	1500	Liters
Overall length	1150	mm
Overall width	1150	mm
Total height of the tank	2075	mm
Overall height (+ventilation pipe)	2225	mm
Total weight (without water)	197	Kg
Pipe diameter	110	mm

This treatment unit can be installed in high ground water table.

\*  
\*\*according to DIN EN 12566-3



V2  
25/05/2016

Overall tolerance: 3%

Service :				
ORIGINATOR				
	NAME	SIGNATURE	DATE	TITLE:
AUTHOR	AQ		29/04/2016	
CHANGES				TITLE:
	NAME	SIGNATURE	DATE	
AUTHOR	AQ		25/05/2016	
CHANGES				Nb. of PLAN
AUTHOR				UT-X1500
AUTHOR				A3
SCALE:1:20				